

Scaled data based on original data using  
LM-79-08 Approved Method: Electrical and Photometric Measurements of Solid-State  
Lighting Products

Test Report Prepared for  
Cooper Lighting Solutions  
(formerly Eaton)

Brand: STREETWORKS

Report Number: P571712

Luminaire Tested: **UFLD-S-CA1-50-750-U-66-TS2LW\_NFFLD**

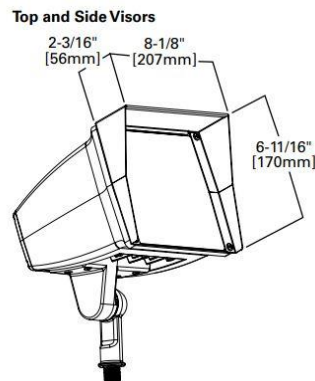
Issue Date: 9/21/2021

**Test Information**

Test Method: LM-79-08  
Report Number: P571712  
TEST IS SCALED FROM IESNA LM-79-08 TEST DATA (G2-2109-378-6)  
Test Lab: COOPER LIGHTING SOLUTIONS  
Issue Date: 9/21/2021  
Manufacturer: COOPER LIGHTING SOLUTIONS (FORMERLY EATON)  
Product Line: STREETWORKS  
Catalog Number: UFLD-S-CA1-50-750-U-66-TS2LW\_NFFLD  
Description: FLOOD LIGHT SMALL, 6x6 OPTIC WITH TOP AND SIDE VISOR  
Light Source: (1) 5000K CCT, 70 CRI LEDS  
Ballast/Driver: -

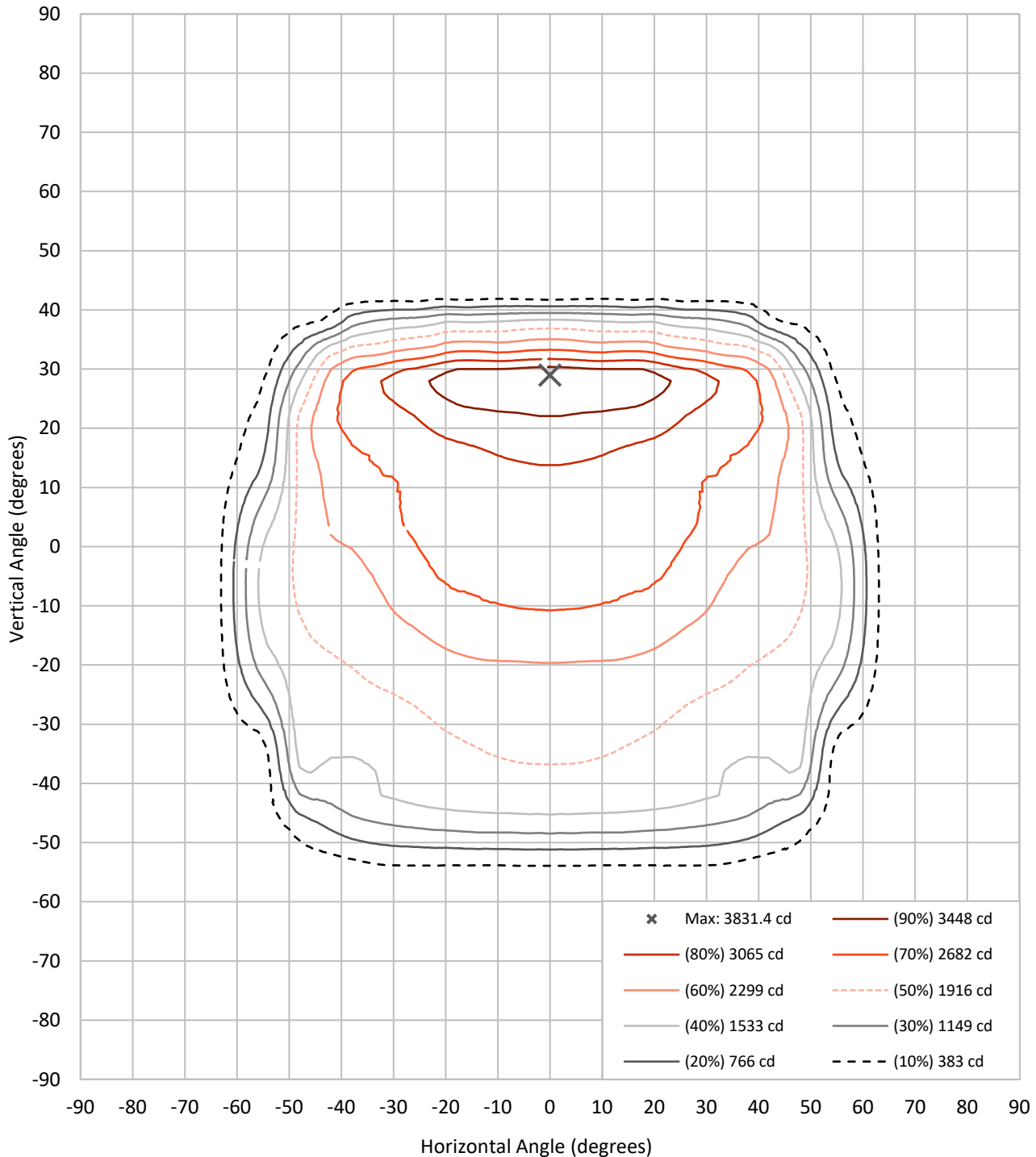
**Summary**

Lumens per Lamp:	N/A	NEMA Type:	6H x 5V
Luminaire Lumens:	5973 lumens	Max Intensity:	3831.4 candela
Efficiency:	N/A	Max Intensity Angle:	0°H x 29°V
Efficacy:	120.4 lumens/watt		
Luminous Opening:	Rectangular (W 0.67' x L: 0.5' x H: 0')		
Beam Angle (50%):	90.2°H x 73.7°V	Field Angle (10%):	108.6°H x 95.6°V
Beam Lumens:	4316.1 lumens	Field Lumens:	5811.7 lumens
Beam Efficiency:	72.3%	Field Efficiency:	97.3%
Input Watts (W):	49.6		
Input Voltage (V):	120		
Input Current (Ain):	NR		
Voltage Rise (V):	NR		
Power Factor:	NR		
Total Harmonic Distortion (THDi):	NR		
Frequency (hertz):	60		
Stabilization Time:	NR		
Operation Time:	NR		
Ambient Temperature (°C):	NR		
Test Distance:	25 FT		



REPORT NUMBER: P571712  
CATALOG NUMBER: UFLD-S-CA1-50-750-U-66-TS2LW\_NFFLD

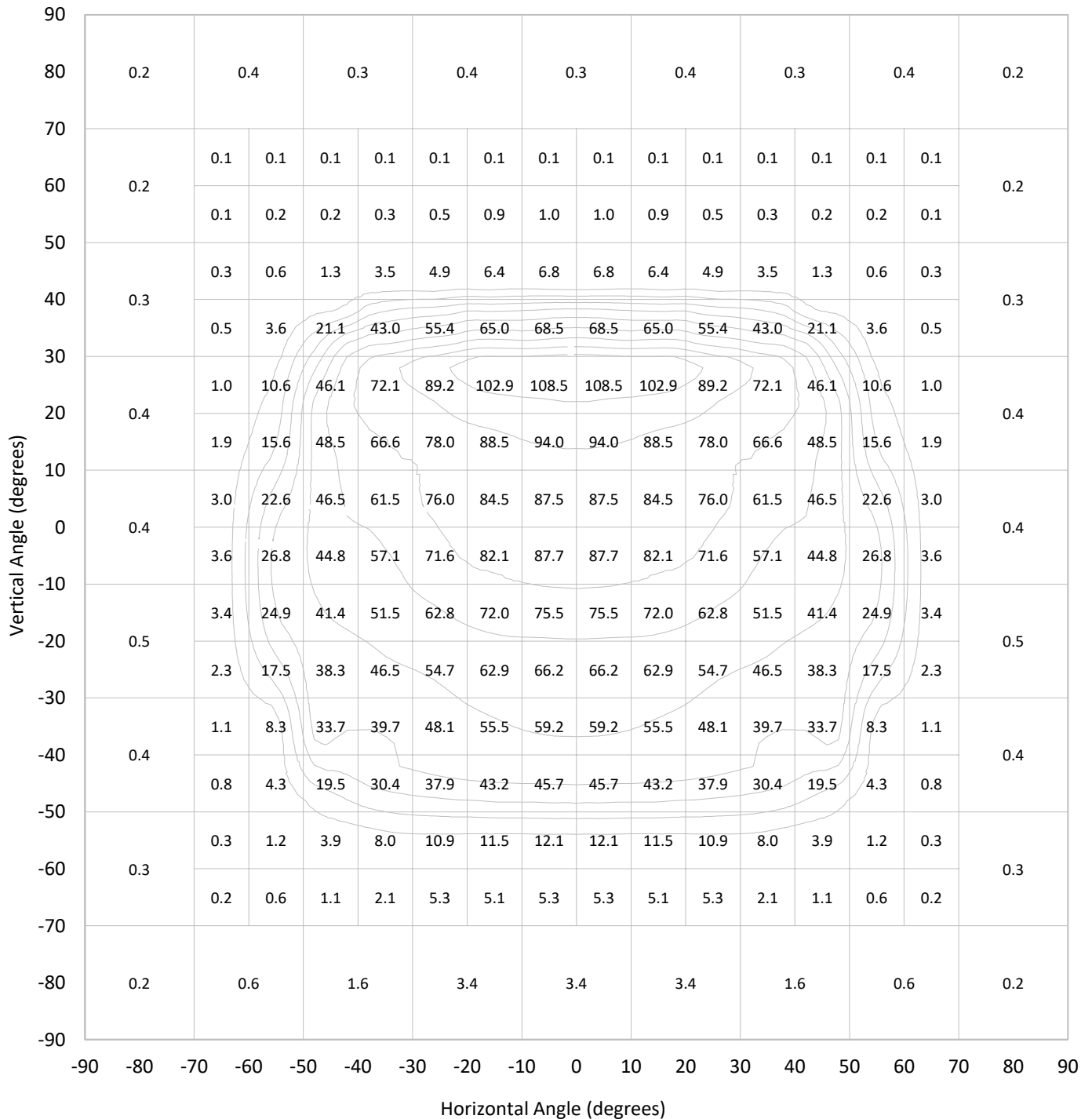
### Iso-Candela Plot





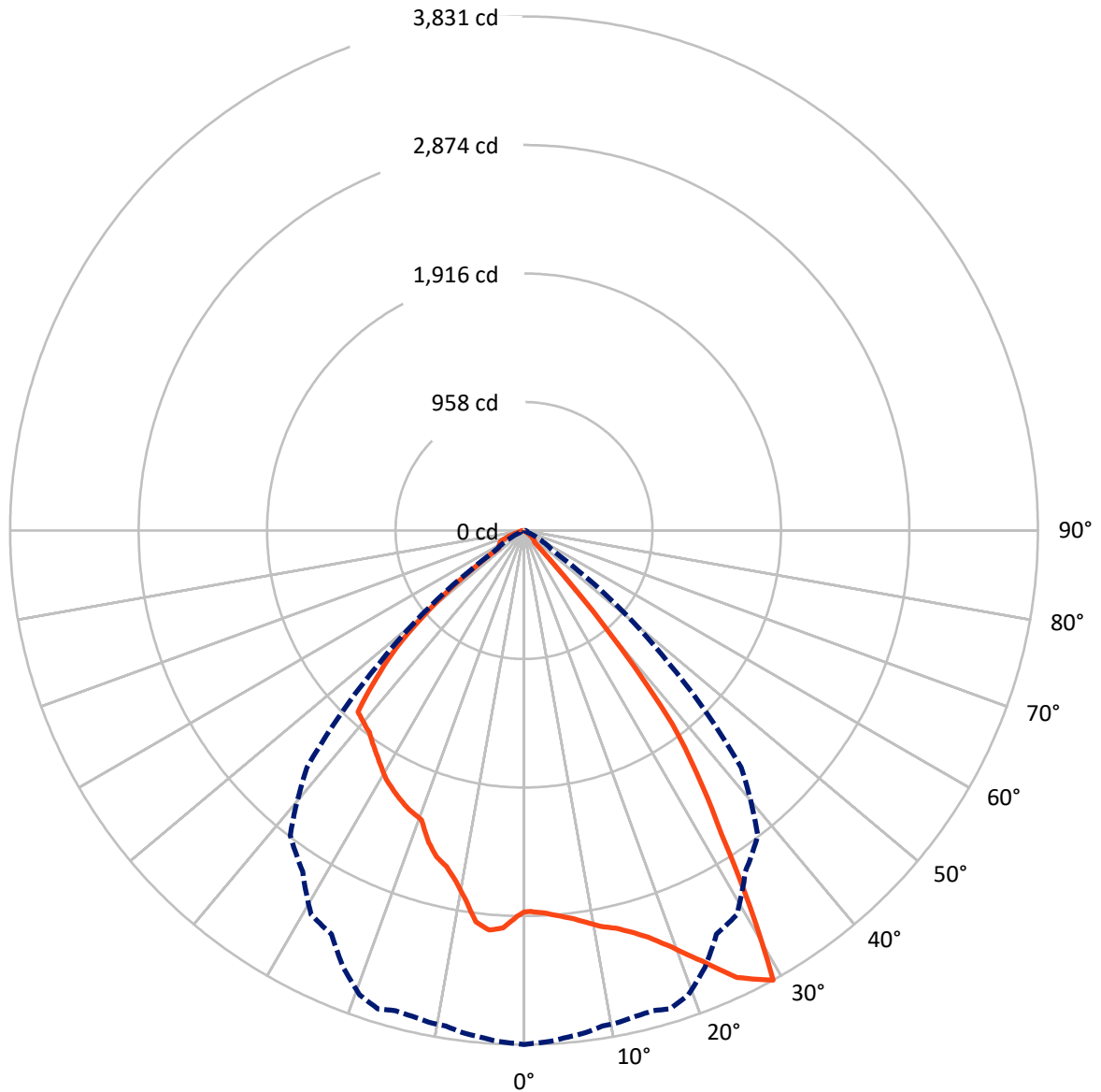
REPORT NUMBER: P571712  
 CATALOG NUMBER: UFLD-S-CA1-50-750-U-66-TS2LW\_NFFLD

### Lumen Table



REPORT NUMBER: P571712  
CATALOG NUMBER: UFLD-S-CA1-50-750-U-66-TS2LW\_NFFLD

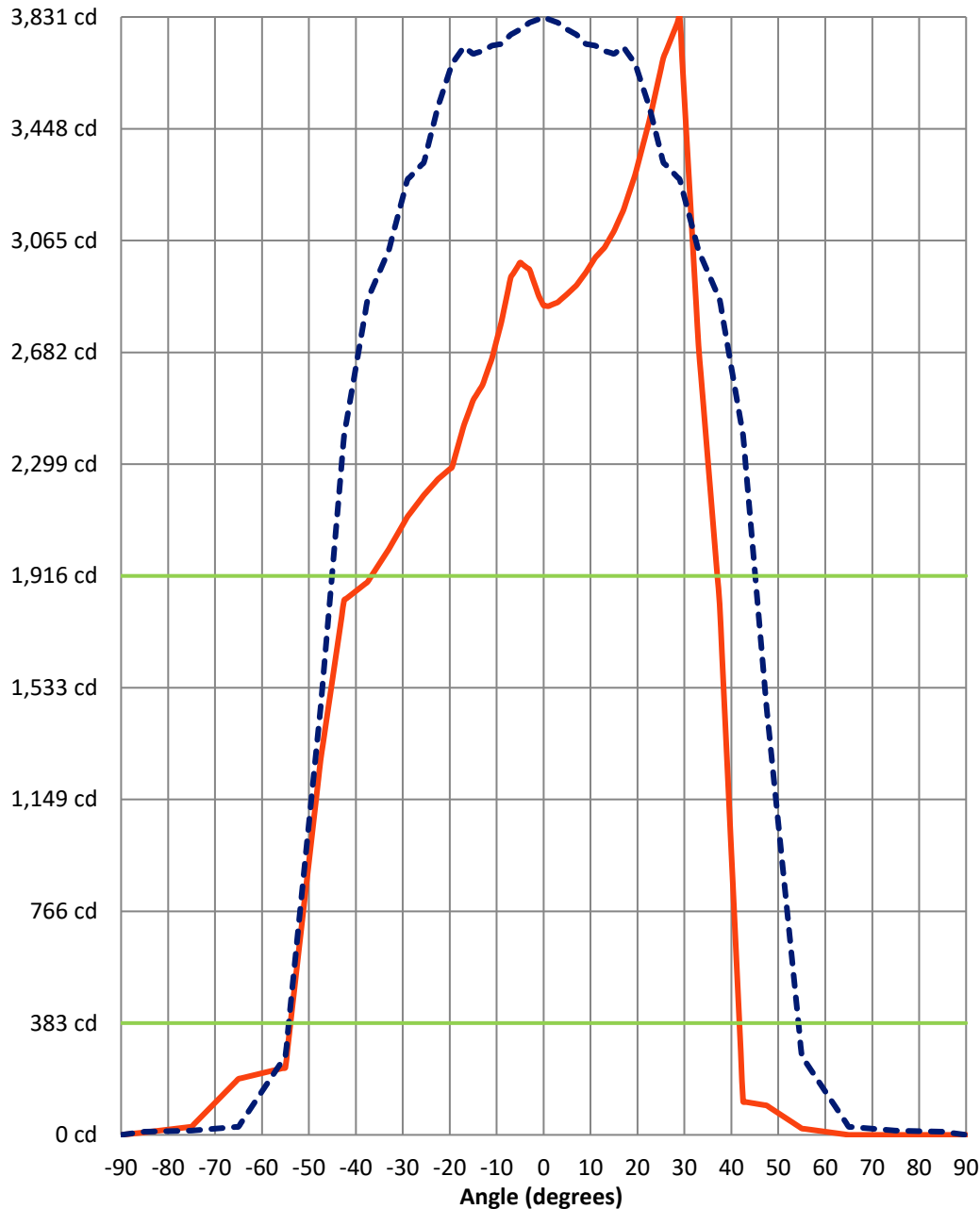
### Luminous Intensity Polar Plot



— Vertical Distribution Through 0-Deg      - - - Horizontal Distribution Through 29-Deg

REPORT NUMBER: P571712  
 CATALOG NUMBER: UFLD-S-CA1-50-750-U-66-TS2LW\_NFFLD

### Luminous Intensity Plot



**Beam:**  
 H Angle: 90.2°  
 V Angle: 73.7°  
 Lumens: 4316.1  
 Efficiency: 72.3%

**Field:**  
 H Angle: 108.6°  
 V Angle: 95.6°  
 Lumens: 5811.7  
 Efficiency: 97.3%

**Spill:**  
 Lumens: 161.3  
 Efficiency: 2.7%

- Vertical Distribution through 0-Deg
- - - Horizontal Distribution through 29-Deg



REPORT NUMBER: P571712  
 CATALOG NUMBER: UFLD-S-CA1-50-750-U-66-TS2LW\_NFFLD

FIELD  
 BEAM

**CANDELA DISTRIBUTION:**

	0°	1°	3°	5°	7°	9°	11°	13°	15°	17°	19.5°
90°	0.0	0.0	0.0	0.0	0.0	0.0	0.0	0.0	0.0	0.0	0.0
85°	0.0	1.2	3.6	3.6	3.6	3.6	4.9	4.9	4.9	4.9	4.9
75°	0.0	1.2	1.2	2.4	3.6	3.6	3.6	3.6	3.6	3.6	2.4
65°	0.0	0.0	1.2	1.2	2.4	2.4	2.4	2.4	2.4	2.4	2.4
55°	21.9	21.9	21.9	21.9	21.9	21.9	23.1	21.9	20.7	20.7	20.7
47.5°	100.8	100.8	100.8	96.0	92.3	91.1	88.7	83.8	81.4	83.8	81.4
42.5°	114.2	116.6	133.6	159.1	181.0	198.0	198.0	182.2	143.3	119.0	191.9
37.5°	1818.5	1802.7	1825.8	1779.6	1749.3	1704.3	1691.0	1672.7	1655.7	1675.2	1700.7
33°	2705.3	2676.2	2706.5	2643.4	2622.7	2580.2	2604.5	2656.7	2668.9	2676.2	2620.3
29°	3831.4	3824.1	3812.0	3788.9	3770.7	3739.1	3733.0	3714.8	3705.1	3728.1	3671.1
25.5°	3690.5	3694.1	3678.3	3662.5	3643.1	3649.2	3633.4	3617.6	3600.6	3565.4	3494.9
22.5°	3474.3	3482.8	3467.0	3443.9	3429.3	3425.7	3409.9	3391.7	3375.9	3363.7	3316.3
19.5°	3290.8	3294.5	3288.4	3276.3	3265.3	3252.0	3227.7	3200.9	3176.6	3170.6	3148.7
17°	3169.4	3173.0	3168.1	3158.4	3147.5	3128.0	3105.0	3074.6	3050.3	3030.9	2998.1
15°	3097.7	3100.1	3096.5	3086.7	3073.4	3058.8	3040.6	3016.3	2989.6	2960.4	2920.3
13°	3041.8	3044.2	3040.6	3029.7	3017.5	3002.9	2987.1	2966.5	2943.4	2917.9	2883.9
11°	3006.6	3007.8	3001.7	2993.2	2979.8	2965.3	2948.3	2925.2	2908.2	2893.6	2874.2
9°	2955.6	2956.8	2954.3	2947.0	2941.0	2926.4	2913.0	2894.8	2881.4	2876.6	2870.5
7°	2911.8	2913.0	2913.0	2904.5	2898.5	2888.7	2877.8	2863.2	2855.9	2859.6	2865.7
5°	2881.4	2883.9	2882.7	2875.4	2870.5	2864.4	2858.4	2848.6	2840.1	2853.5	2870.5
3°	2853.5	2853.5	2855.9	2852.3	2851.1	2852.3	2853.5	2849.9	2847.4	2865.7	2888.7
1°	2840.1	2840.1	2845.0	2846.2	2849.9	2857.2	2871.7	2881.4	2883.9	2877.8	2959.2
0°	2842.6	2842.6	2849.9	2859.6	2870.5	2886.3	2898.5	2904.5	2898.5	2876.6	3108.6
-1°	2874.2	2870.5	2875.4	2892.4	2904.5	2919.1	2922.8	2917.9	2900.9	2869.3	2909.4
-3°	2965.3	2967.7	2966.5	2968.9	2968.9	2965.3	2945.8	2910.6	2872.9	2830.4	2796.4
-5°	2989.6	2996.9	2989.6	2981.1	2973.8	2942.2	2905.7	2854.7	2786.7	2746.6	2712.6
-7°	2938.5	2927.6	2921.5	2903.3	2879.0	2830.4	2784.3	2732.0	2694.4	2683.4	2674.9
-9°	2785.5	2777.0	2773.3	2764.8	2749.0	2715.0	2695.6	2674.9	2661.6	2661.6	2651.9
-11°	2661.6	2656.7	2654.3	2645.8	2643.4	2627.6	2625.1	2617.8	2606.9	2606.9	2589.9
-13°	2570.5	2570.5	2570.5	2566.8	2558.3	2552.2	2551.0	2545.0	2531.6	2526.7	2501.2
-15°	2518.2	2519.4	2514.6	2509.7	2498.8	2491.5	2484.2	2474.5	2457.5	2444.1	2411.3
-17°	2430.8	2424.7	2429.6	2419.8	2419.8	2412.5	2410.1	2405.3	2388.2	2368.8	2328.7
-19.5°	2288.6	2289.9	2287.4	2280.1	2276.5	2275.3	2274.1	2266.8	2248.6	2227.9	2196.3
-22.5°	2247.3	2246.1	2242.5	2237.6	2234.0	2230.3	2231.5	2227.9	2210.9	2190.2	2158.7
-25.5°	2192.7	2191.5	2187.8	2181.7	2174.4	2167.2	2169.6	2164.7	2151.4	2134.4	2107.6
-29°	2118.6	2114.9	2111.3	2106.4	2094.3	2076.1	2062.7	2051.8	2037.2	2023.8	1993.4
-33°	2006.8	2005.6	2005.6	2000.7	1989.8	1975.2	1959.4	1943.6	1923.0	1902.3	1867.1
-37.5°	1895.1	1895.1	1895.1	1892.6	1887.8	1880.5	1872.0	1857.4	1836.7	1812.4	1779.6
-42.5°	1831.9	1830.7	1831.9	1825.8	1818.5	1808.8	1801.5	1788.2	1772.4	1760.2	1740.8
-47.5°	1285.2	1265.8	1276.7	1279.2	1256.1	1262.2	1259.7	1260.9	1252.4	1229.4	1208.7
-55°	230.8	230.8	233.2	236.9	234.5	228.4	221.1	221.1	229.6	233.2	228.4
-65°	191.9	191.9	191.9	190.7	190.7	189.5	189.5	189.5	189.5	189.5	195.6
-75°	27.9	26.7	27.9	27.9	25.5	26.7	30.4	30.4	30.4	30.4	30.4
-85°	8.5	8.5	8.5	12.1	13.4	14.6	14.6	15.8	15.8	14.6	14.6
-90°	0.0	0.0	0.0	0.0	0.0	0.0	0.0	0.0	0.0	0.0	0.0



REPORT NUMBER: P571712

CATALOG NUMBER: UFLD-S-CA1-50-750-U-66-TS2LW\_NFFLD

**CANDELA DISTRIBUTION (continued):**

	22.5°	25.5°	29°	33°	37.5°	42.5°	47.5°	55°	65°	75°	85°
90°	0.0	0.0	0.0	0.0	0.0	0.0	0.0	0.0	0.0	0.0	0.0
85°	4.9	4.9	4.9	3.6	3.6	4.9	4.9	6.1	8.5	9.7	9.7
75°	2.4	2.4	2.4	2.4	3.6	4.9	4.9	6.1	8.5	9.7	10.9
65°	2.4	2.4	2.4	2.4	2.4	3.6	4.9	7.3	8.5	9.7	10.9
55°	18.2	13.4	9.7	10.9	13.4	9.7	7.3	8.5	9.7	10.9	10.9
47.5°	65.6	40.1	25.5	23.1	25.5	19.4	15.8	15.8	20.7	10.9	10.9
42.5°	185.9	70.5	128.8	140.9	121.5	38.9	54.7	42.5	24.3	12.1	10.9
37.5°	1553.7	1478.4	1438.3	1330.2	1139.5	476.2	348.6	58.3	25.5	12.1	10.9
33°	2445.3	2383.4	2305.6	2148.9	2129.5	1808.8	986.4	120.3	25.5	13.4	10.9
29°	3524.1	3333.3	3273.8	3030.9	2863.2	2396.8	1465.0	269.7	27.9	14.6	10.9
25.5°	3397.7	3281.1	3151.1	3018.7	2879.0	2531.6	1794.2	392.4	31.6	14.6	10.9
22.5°	3214.3	3097.7	2987.1	2890.0	2809.8	2617.8	2053.0	487.1	36.4	14.6	10.9
19.5°	3067.3	2965.3	2864.4	2770.9	2733.2	2623.9	2139.2	562.4	43.7	14.6	10.9
17°	2924.0	2843.8	2770.9	2706.5	2693.2	2549.8	2127.1	628.0	55.9	15.8	10.9
15°	2845.0	2767.3	2715.0	2689.5	2662.8	2457.5	2111.3	692.4	63.2	15.8	10.9
13°	2803.7	2724.7	2688.3	2696.8	2611.8	2394.3	2089.4	794.5	70.5	15.8	10.9
11°	2798.8	2711.4	2687.1	2661.6	2551.0	2372.5	2073.6	918.4	74.1	15.8	10.9
9°	2813.4	2735.7	2684.7	2593.5	2498.8	2365.2	2062.7	1061.7	75.3	17.0	12.1
7°	2825.6	2751.5	2682.2	2532.8	2445.3	2345.7	2044.5	1194.1	72.9	17.0	12.1
5°	2843.8	2763.6	2676.2	2485.4	2401.6	2323.9	2028.7	1327.8	69.2	17.0	12.1
3°	2840.1	2739.3	2653.1	2440.5	2365.2	2306.9	2016.5	1444.4	68.0	17.0	12.1
1°	2812.2	2696.8	2600.8	2406.5	2327.5	2281.3	2010.5	1542.8	68.0	18.2	12.1
0°	2796.4	2672.5	2569.3	2390.7	2308.1	2269.2	2008.0	1586.5	66.8	18.2	12.1
-1°	2769.7	2640.9	2549.8	2376.1	2291.1	2252.2	2003.2	1619.3	66.8	18.2	12.1
-3°	2704.1	2589.9	2515.8	2344.5	2261.9	2224.3	1999.5	1663.0	68.0	18.2	12.1
-5°	2655.5	2568.0	2487.9	2316.6	2240.0	2195.1	1989.8	1684.9	69.2	18.2	12.1
-7°	2634.8	2546.2	2456.3	2280.1	2206.0	2158.7	1978.9	1688.5	69.2	18.2	12.1
-9°	2604.5	2508.5	2407.7	2234.0	2163.5	2113.7	1967.9	1677.6	70.5	19.4	12.1
-11°	2534.0	2432.0	2332.4	2185.4	2116.1	2057.8	1941.2	1658.2	70.5	19.4	12.1
-13°	2440.5	2342.1	2251.0	2130.7	2068.8	2010.5	1915.7	1619.3	70.5	19.4	12.1
-15°	2344.5	2251.0	2174.4	2083.3	2028.7	1969.2	1892.6	1559.8	70.5	19.4	12.1
-17°	2253.4	2161.1	2097.9	2034.7	1987.4	1929.1	1865.9	1482.0	71.7	19.4	12.1
-19.5°	2131.9	2059.0	2014.1	1976.4	1933.9	1880.5	1838.0	1360.5	70.5	18.2	12.1
-22.5°	2087.0	2016.5	1976.4	1938.8	1892.6	1839.2	1818.5	1163.8	66.8	18.2	12.1
-25.5°	2029.9	1957.0	1912.1	1880.5	1855.0	1803.9	1814.9	929.3	64.4	18.2	12.1
-29°	1924.2	1864.7	1819.7	1785.7	1763.9	1754.1	1823.4	624.4	66.8	17.0	12.1
-33°	1813.7	1759.0	1701.9	1649.7	1615.7	1637.5	1800.3	245.4	69.2	17.0	12.1
-37.5°	1735.9	1683.7	1619.3	1540.3	1466.2	1462.6	1646.0	126.3	71.7	17.0	12.1
-42.5°	1691.0	1652.1	1587.7	1520.9	1420.1	1214.8	1150.4	156.7	69.2	15.8	12.1
-47.5°	1196.6	1163.8	1132.2	1079.9	998.5	781.1	523.6	104.5	54.7	13.4	10.9
-55°	246.6	244.2	252.7	240.5	144.6	77.7	106.9	46.2	17.0	13.4	10.9
-65°	215.0	236.9	178.6	97.2	32.8	41.3	59.5	35.2	13.4	12.1	10.9
-75°	29.2	27.9	20.7	20.7	23.1	21.9	15.8	10.9	10.9	10.9	10.9
-85°	13.4	12.1	12.1	10.9	10.9	9.7	9.7	8.5	9.7	10.9	10.9
-90°	0.0	0.0	0.0	0.0	0.0	0.0	0.0	0.0	0.0	0.0	0.0





REPORT NUMBER: P571712  
CATALOG NUMBER: UFLD-S-CA1-50-750-U-66-TS2LW\_NFFLD

**CANDELA DISTRIBUTION (continued):**

	90°
90°	0.0
85°	0.0
75°	0.0
65°	0.0
55°	0.0
47.5°	0.0
42.5°	0.0
37.5°	0.0
33°	0.0
29°	0.0
25.5°	0.0
22.5°	0.0
19.5°	0.0
17°	0.0
15°	0.0
13°	0.0
11°	0.0
9°	0.0
7°	0.0
5°	0.0
3°	0.0
1°	0.0
0°	0.0
-1°	0.0
-3°	0.0
-5°	0.0
-7°	0.0
-9°	0.0
-11°	0.0
-13°	0.0
-15°	0.0
-17°	0.0
-19.5°	0.0
-22.5°	0.0
-25.5°	0.0
-29°	0.0
-33°	0.0
-37.5°	0.0
-42.5°	0.0
-47.5°	0.0
-55°	0.0
-65°	0.0
-75°	0.0
-85°	0.0
-90°	0.0

(END OF REPORT)